

STAIR CLAMP

PRODUCT CODE: APAC101018

WEIGHT: 7.0KG (15.43LBS)

SURFACE FINISH: HDG

DIMENSION: METRIC (MM)

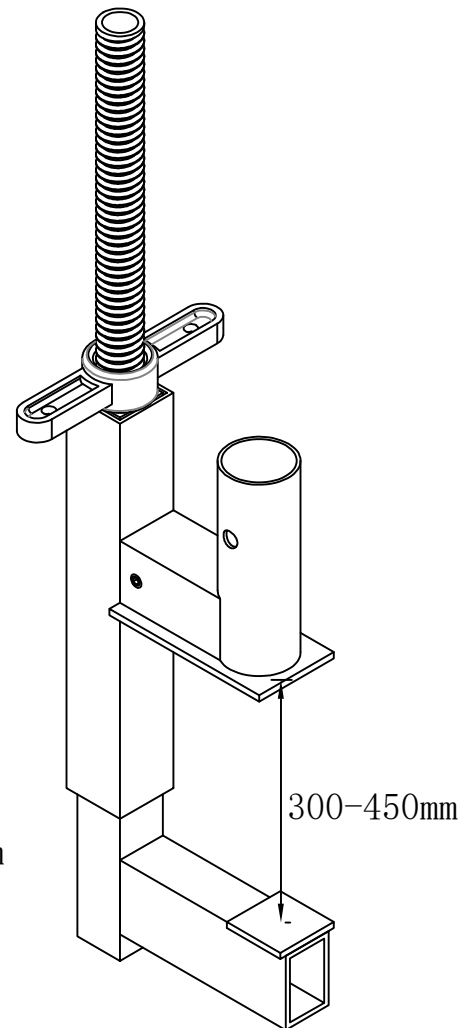
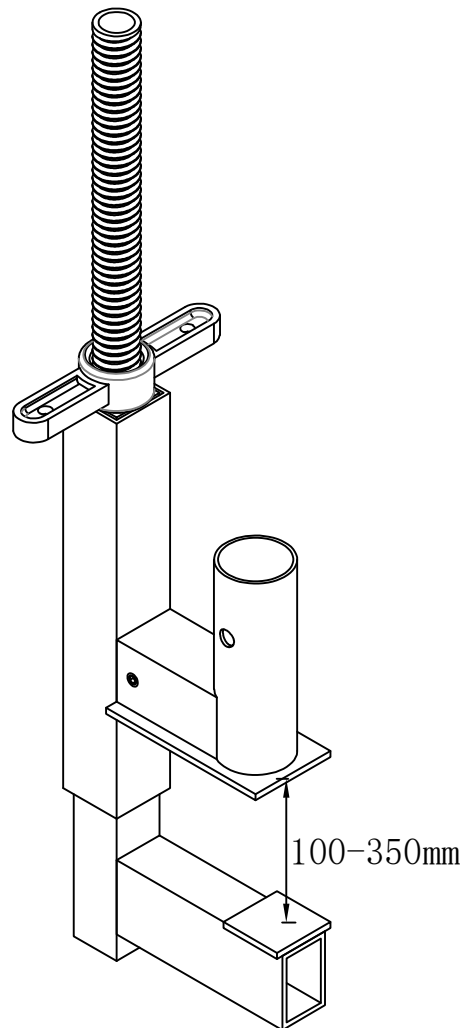
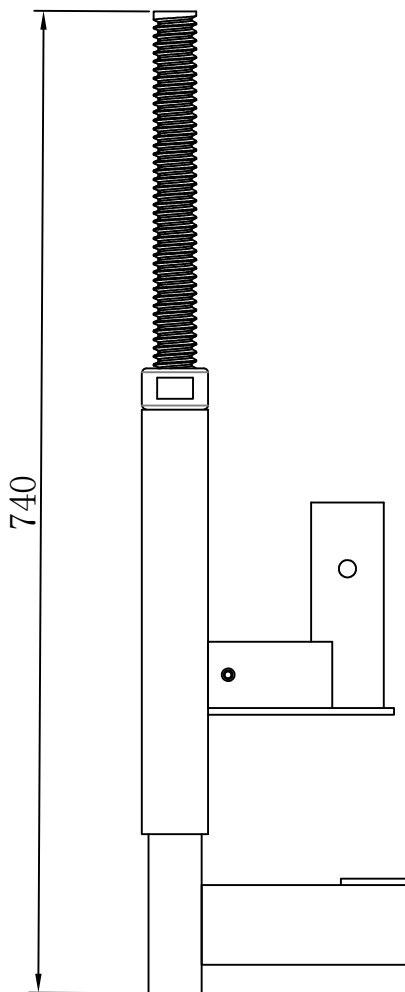
COMPLIES WITH:

USA STANDARD: OSHA 1926.502(B);

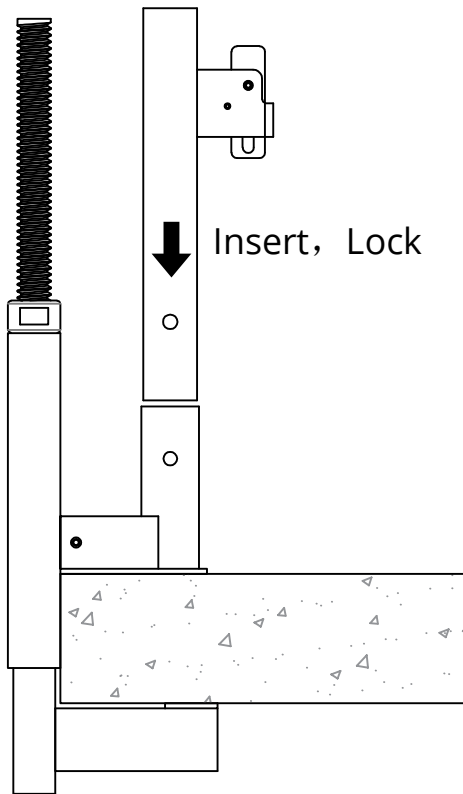
EUROPEAN STANDARD: BS EN 13374:2004 (CLASS A);

CANADIAN STANDARD: OCCUPATIONAL HEALTH AND SAFETY ACT OF ONTARIO; ONTARIO REGULATION 213/91;

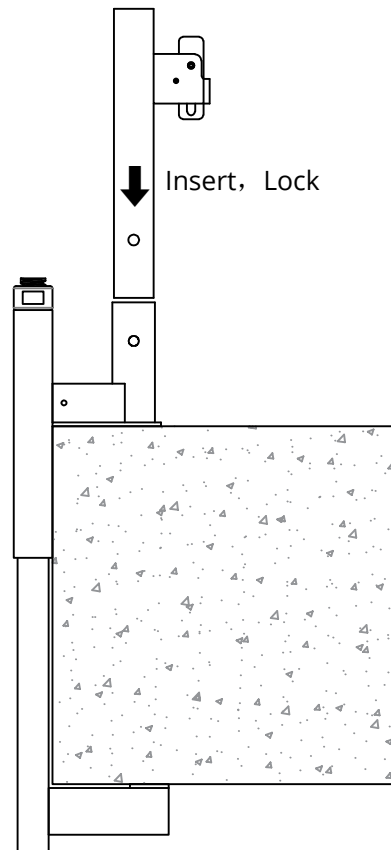
AUSTRALIAN /NEW ZEALAND STANDARD: AS/NZS 4994.1



1.



2.



3.

