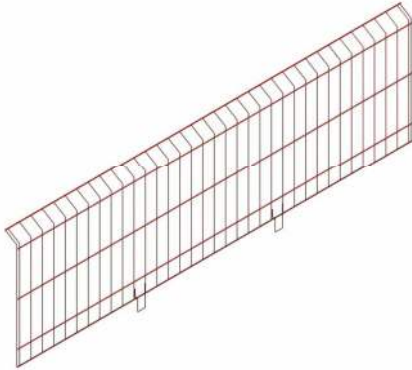


TG MAKE UP MESH BARRIER 2.6M

PRODUCT CODE: APAC101025



WEIGHT: 9.7KG (21.4LBS)

SURFACE FINISH: GALVANIZED COATING+POWDER COATING

DIMENSION: METRIC (MM)

COMPLIES WITH:

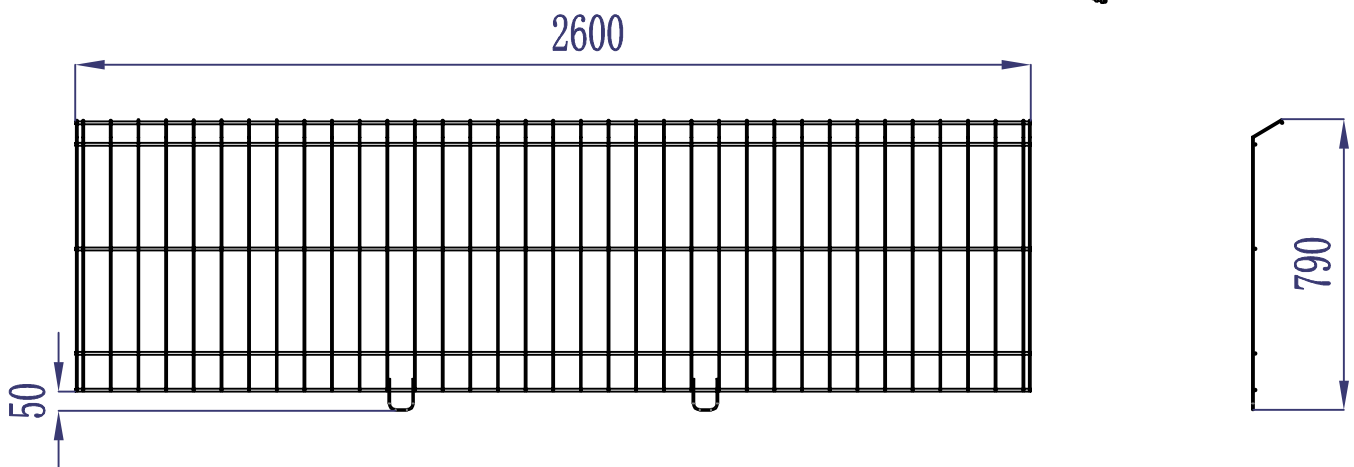
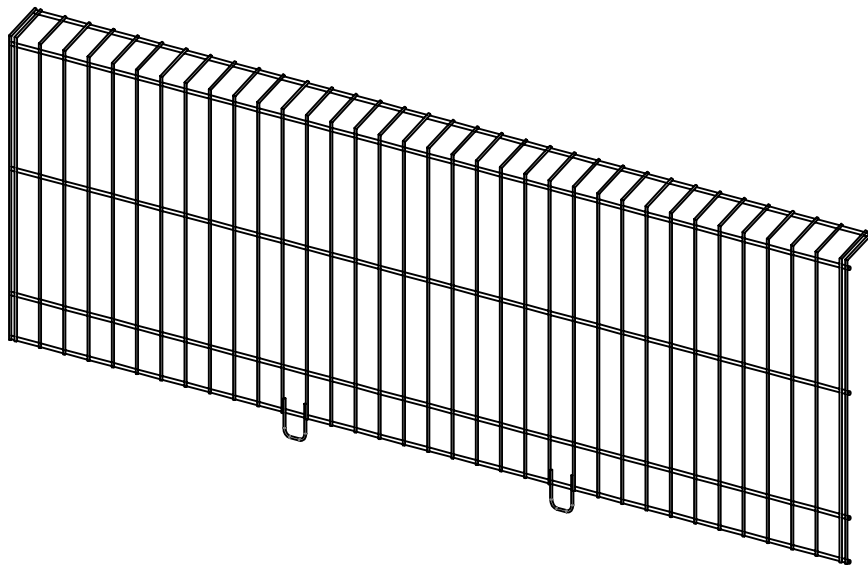
USA STANDARD: OSHA 1926.502(B);

EUROPEAN STANDARD: BS EN 13374:2004 (CLASS A);

CANADIAN STANDARD: OCCUPATIONAL HEALTH AND

SAFETY ACT OF ONTARIO; ONTARIO REGULATION 213/91;

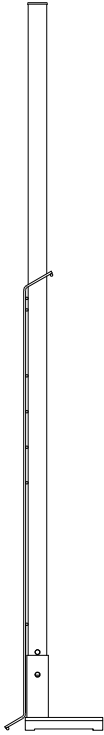
AUSTRALIAN / NEW ZEALAND STANDARD: AS/NZS 4994.1



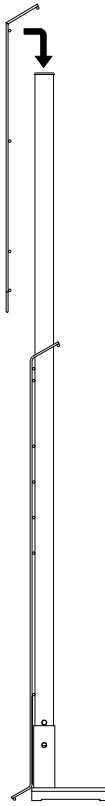
TECHNICAL DATA SHEET



1.



2.



3.

