

COMPRESSION POST BARRIER CLIP

PRODUCT CODE: APAC102060

WEIGHT: 0.7KG (1.54LBS)

SURFACE FINISH: HDG

DIMENSION: METRIC (MM)

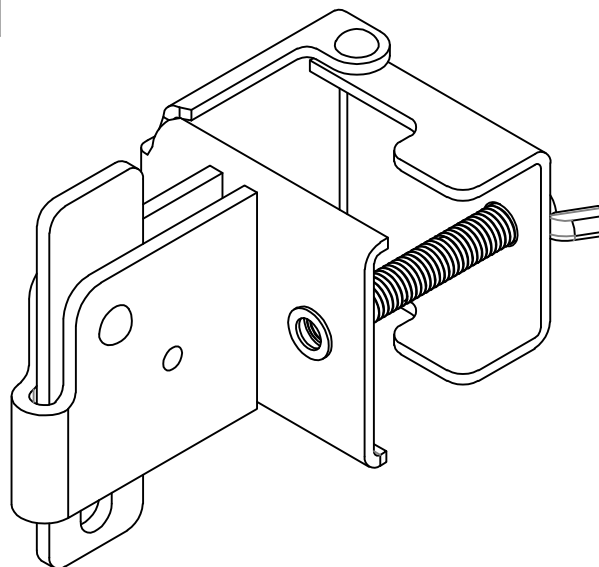
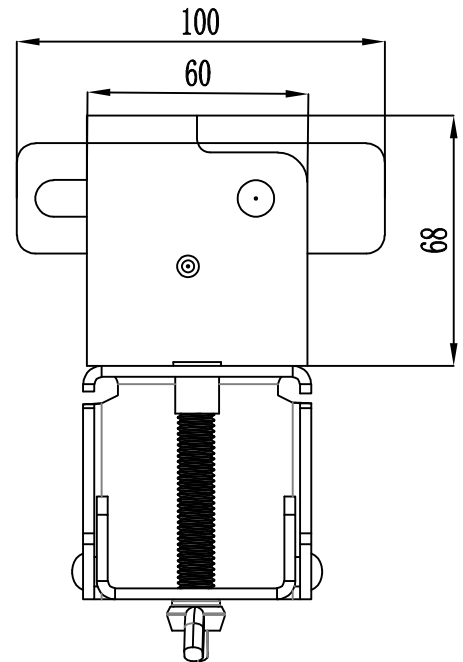
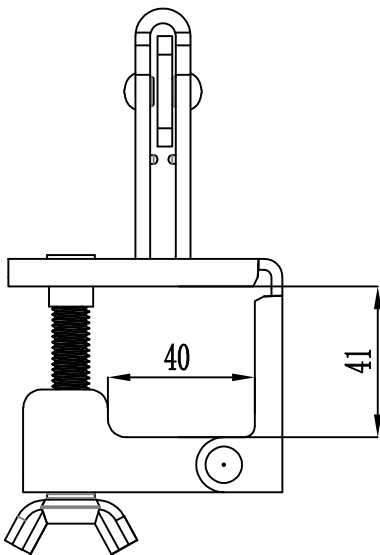
COMPLIES WITH:

USA STANDARD: OSHA 1926.502(B);

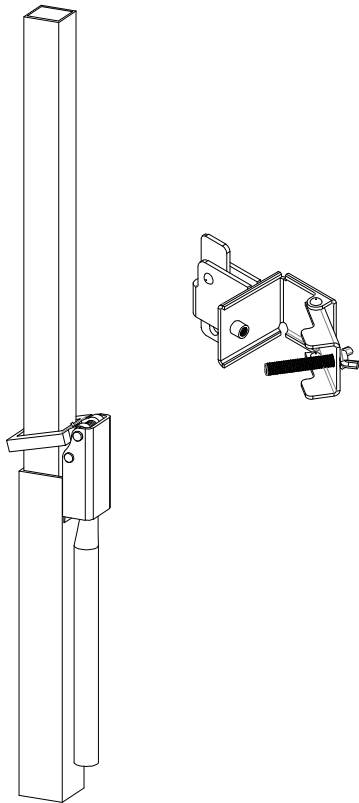
EUROPEAN STANDARD: BS EN 13374:2004 (CLASS A);

CANADIAN STANDARD: OCCUPATIONAL HEALTH AND SAFETY ACT OF ONTARIO; ONTARIO REGULATION 213/91;

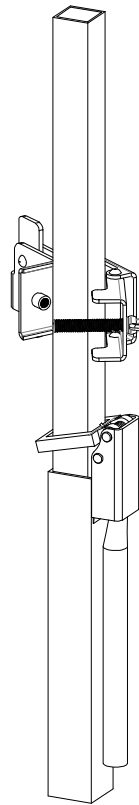
AUSTRALIAN /NEW ZEALAND STANDARD: AS/NZS 4994.1



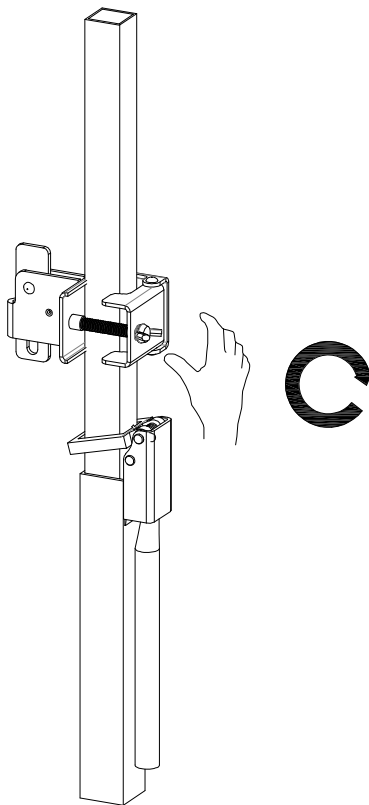
1.



2.

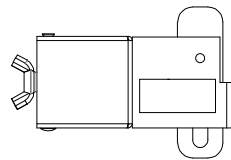


3.



4.

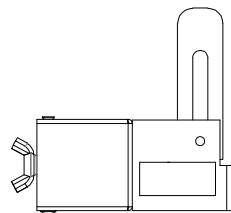
a.



a.



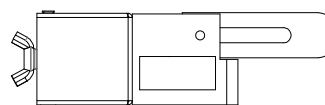
b.



b.



c.



c.

