

EXTENSION FLUTE 1.2M

PRODUCT CODE: APAC103003

WEIGHT: 4.5KG (9.9LBS)

SURFACE FINISH: HDG

DIMENSION: METRIC (MM)

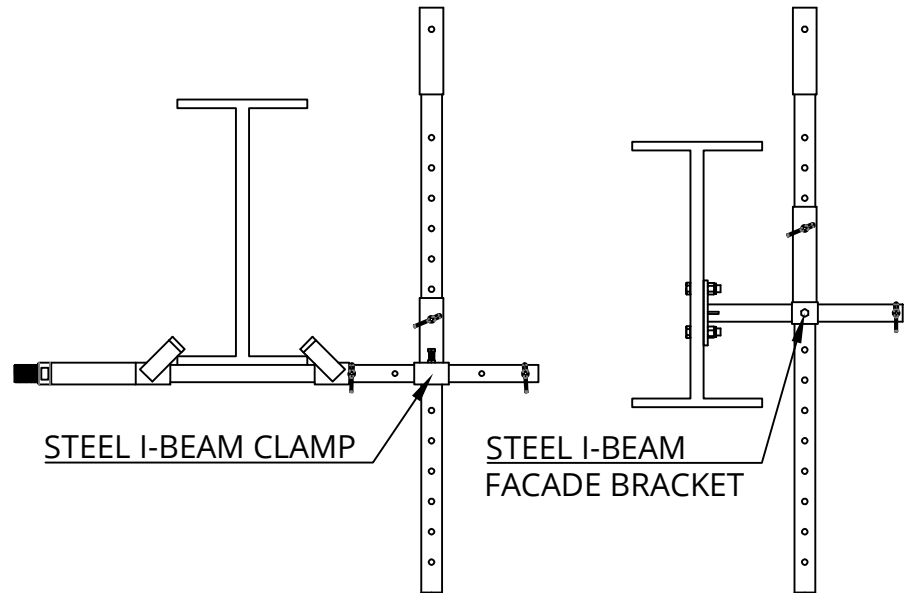
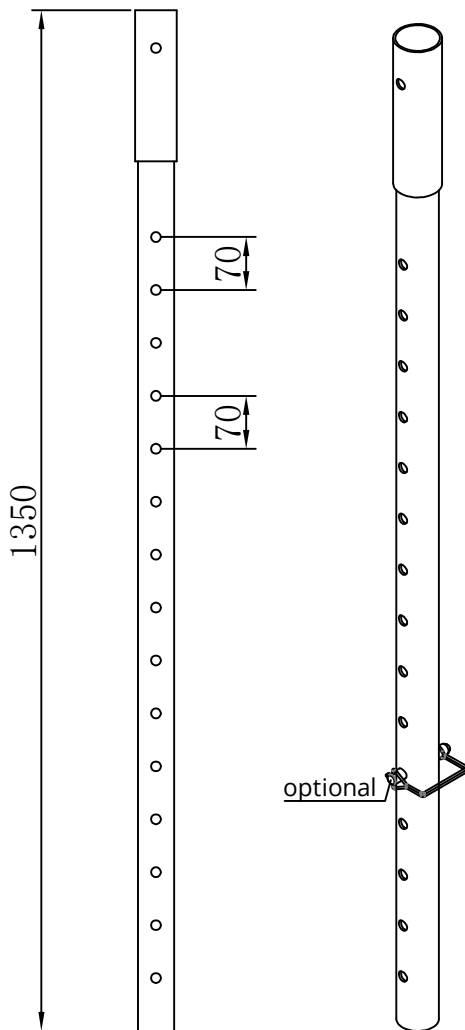
COMPLIES WITH:

USA STANDARD: OSHA 1926.502(B);

EUROPEAN STANDARD: BS EN 13374:2004 (CLASS A);

CANADIAN STANDARD: OCCUPATIONAL HEALTH AND SAFETY ACT OF ONTARIO; ONTARIO REGULATION 213/91;

AUSTRALIAN /NEW ZEALAND STANDARD: AS/NZS 4994.1



Extension tube for I-beam system,
Fix it with a latch after adjusting to
the required height,