



H20 TIMBER BEAM CLAMP

PRODUCT CODE: APAC106002

WEIGHT: 2.2kg (4.85 LBS)

SURFACE FINISH: HDG

DIMENSION: METRIC (MM)

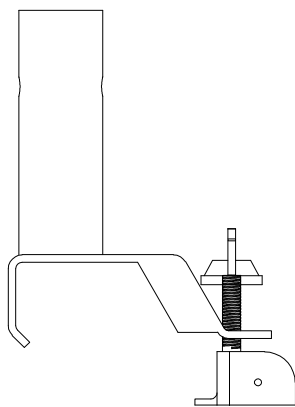
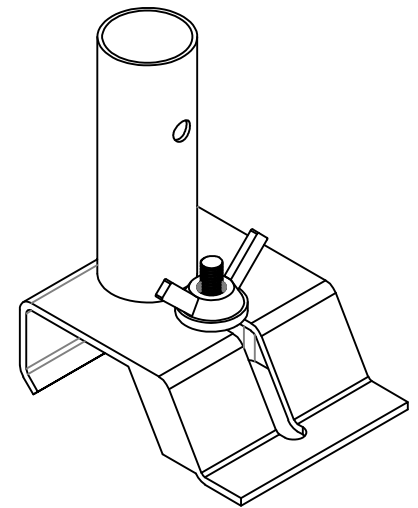
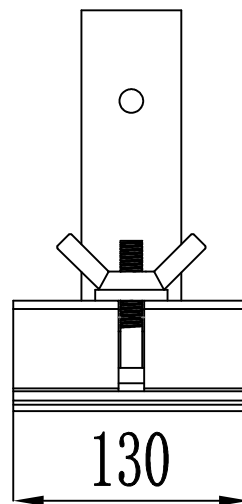
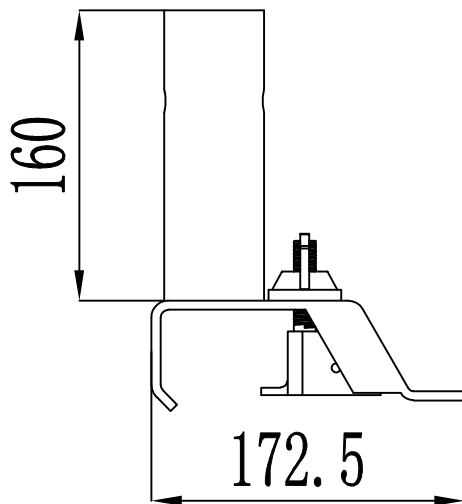
COMPLIES WITH:

USA STANDARD: OSHA 1926.502(B);

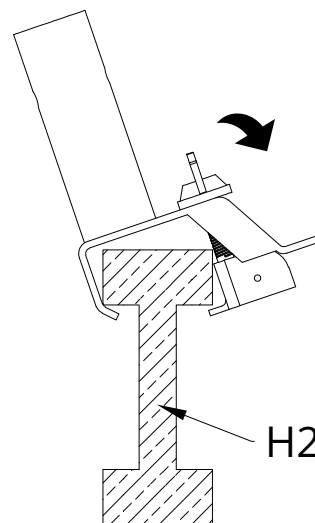
EUROPEAN STANDARD: BS EN 13374:2004 (CLASS A);

CANADIAN STANDARD: OCCUPATIONAL HEALTH AND SAFETY ACT OF ONTARIO; ONTARIO REGULATION 213/91;

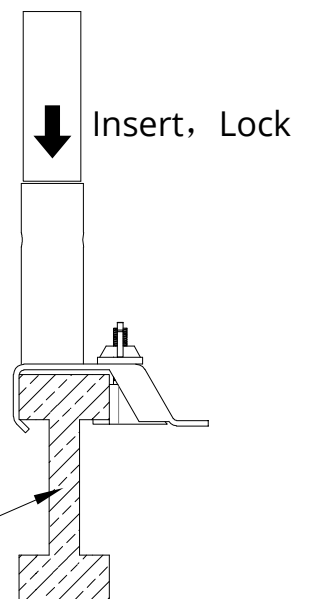
AUSTRALIAN / NEW ZEALAND STANDARD: AS/NZS 4994.1



Loosen the butterfly nut and adjust the width



H20 Beam



Insert, Lock